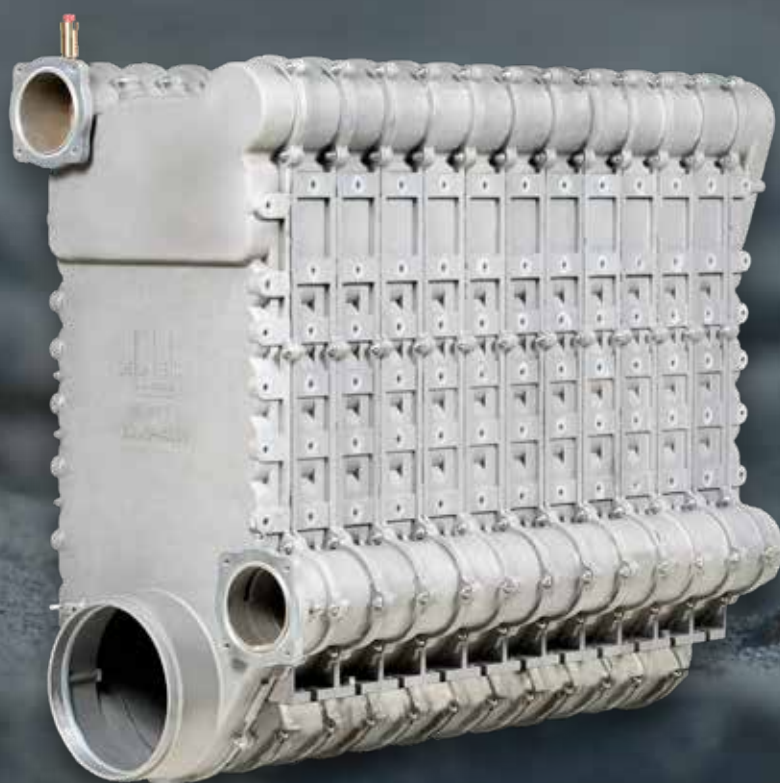


DE JATECH[®]

creators of comfort



Intermodul Maxi

THE EXTRA LARGE SECTIONAL CONDENSING BOILER

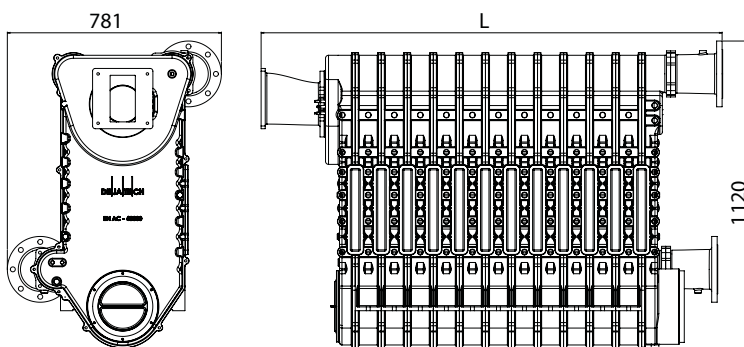
Intermodul Maxi

THE EXTRA LARGE SECTIONAL CONDENSING BOILER

Based upon the revolutionary design of the 'Intermodul' we created an even bigger version; The Intermodul Maxi. Our innovative manifolds (Tichelmann system) and the sump are prefab integrated in every single casting section. This means lesser components and higher reliability. The flow and return pipe exit the Intermodul boiler at the backside. Our patented heat exchanger consists of a front-, back-, and mid-section casting. Industrial capacities from 680 to 1020 kW can be reached. Our Intermodul MAXI system gives our customers the possibility to assemble high capacity tailor made solutions.

Benefits

- For industrial use (XL).
- Best price / quality ratio in the market.
- Low hydraulic pressure drop because of parallel water flow.
- Manifolds (Tichelmann system) and sump integrated in the casting sections.
- Low pneumatic resistance.
- Combustion chamber completely water cooled, no refractories needed.
- High capacity on a small footprint.
- Available as heat cell only or as a complete tested boiler under private label.
- CE approved.
- State of the Art Worgas cylindrical burner inside.
- Tailor made capacity.
- Easy cleaning and maintenance.
- Global patented design.
- Separate sections can also be ordered.



INTERMODUL MAXI			
Type	11-L	13-L	unit
Nominal input	680-850	850-1020	kW
Efficiency load 30%	107	107	%
Operating pressure	6	6	bar
Boiler W: 880 H: 1655	2291	2291	mm
Boiler weight	630	696	kg
HE W: 781 H: 1120	1492	1682	mm
HE weight	375	440	kg
Flue connection Ø	250	250	mm

L x W x H is not including burnerhood and flange.
Products are subject to changes.
Therefore these dimensions may differ from offered products.

DE|JA|TECH®
creators of comfort