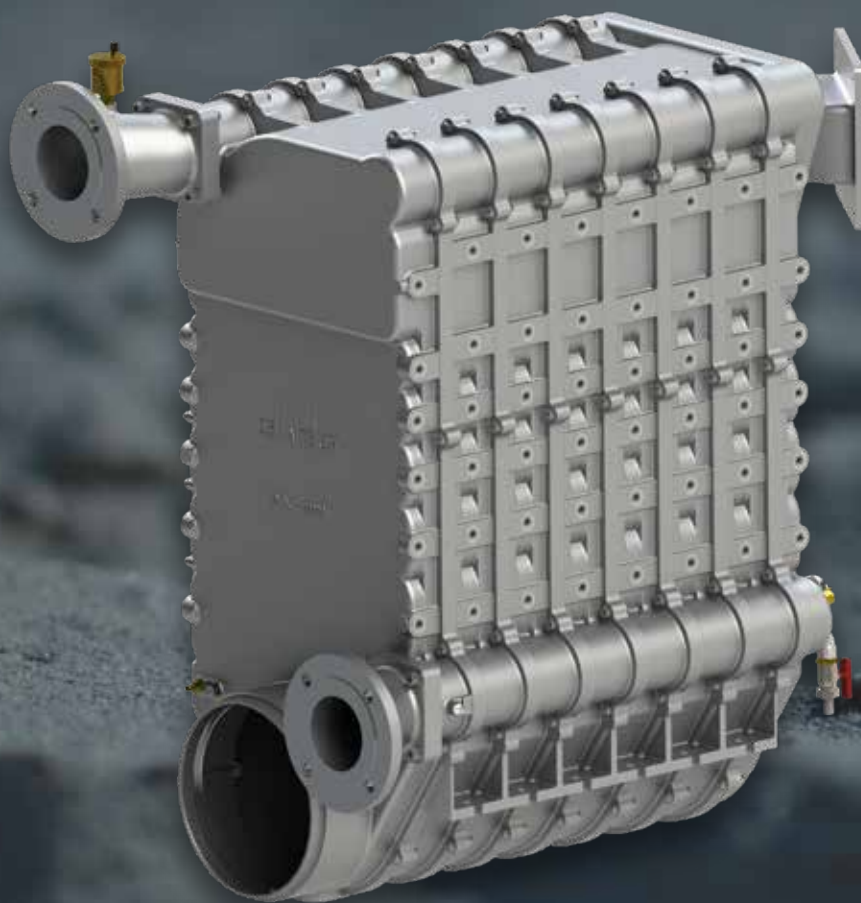


DEJATECH[®]

creators of comfort



Intermodul

THE SECTIONAL BOILER

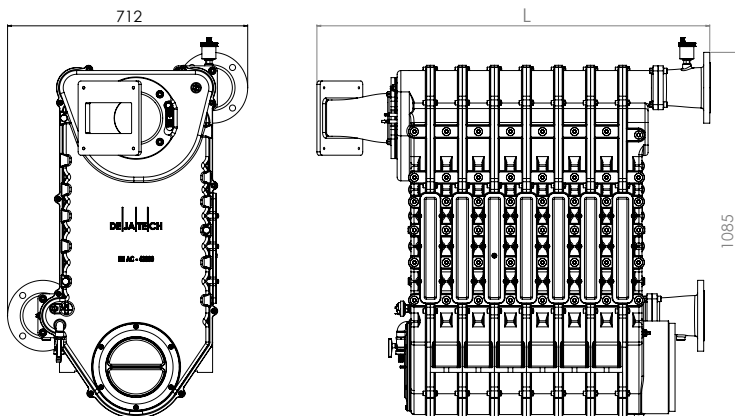
Intermodul

THE SECTIONAL BOILER

This revolutionary design sets a new standard in assembly time and cost savings. The manifolds (Tichelmann system) and the sump are already integrated in each casting section creating less components, less risk for failure and thus higher reliability. The flow and return pipe both exit the boiler at the backside. The boiler only consists of a front-, back- and mid-section casting. By adding more mid-sections, boilers with capacities starting from 340 until 600 kW can be built. As a customer, you are very flexible in deciding which capacity to make and due to less parts, you need less stock, thus saving more costs.

Benefits

- For industrial use.
- Low hydraulic pressure drop because of parallel water flow.
- High modulation range possible.
- Low pneumatic resistance.
- Best price/quality ratio in the market.
- Global patented design.
- Manifolds (Tichelmann) and sump integrated in the casting sections.
- CE approved.
- Available as leak proofed heat cell only or as a complete tested boiler under private label.
- Separate sections can also be ordered.
- Combustion chamber completely water cooled, no refractories needed.



INTERMODUL					
Type	5-L	6-L	7-L	8-L	unit
Nominal input	340	425	510	600	kW
Efficiency load 30%	107	107	107	107,5	%
Operating pressure	6	6	6	6	bar
W=712 x H=1085 x L=	880	975	1070	1165	mm
Flue connection Ø	250	250	250	250	mm
Weight	149,1	180,6	212,7	244,1	kg
Flange manifold 2x	5,74	5,74	5,74	5,74	

L x W x H and Weight is including burnerhood and flange.
Products are subject to changes.
Therefore these dimensions may differ from offered products

DE|JA|TECH®
creators of comfort